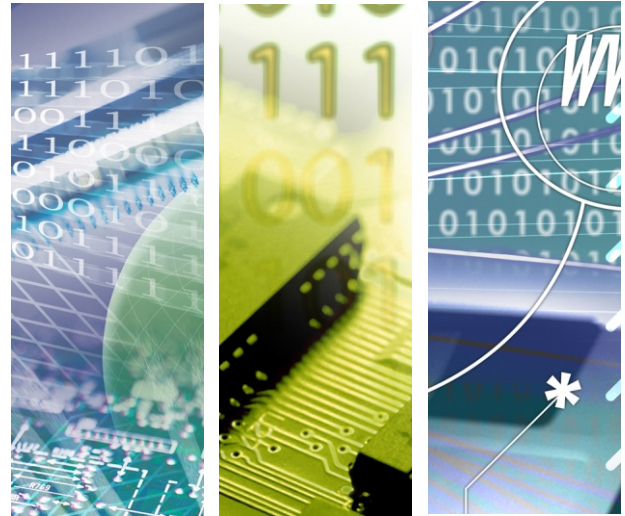
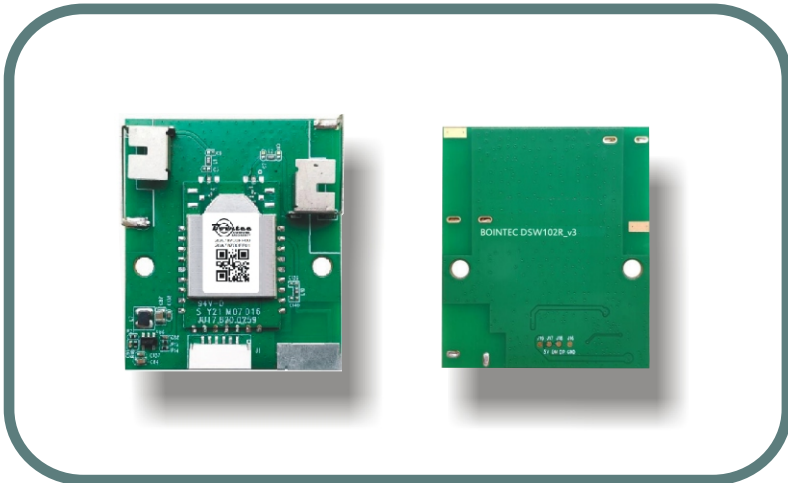




DUB102R

WiFi 802.11 abgn/AC and Bluetooth 4.2 Slot Module



DUB102R

802.11 abgn/AC USB + Bluetooth 4.2 USB, 2T2R, independent module

Introduction of Products

Bointec DUB102R is a standalong module of Wi-Fi 802.11abgn/AC with Bluetooth 4.2 multi-function network interface controller by USB (both WiFi and Bluetooth). It combines a wireless LAN MAC, a 2T2R capable baseband, and RF. Using by Realtek RTL8822BU, it provides a complete solution for a high-performance integrated wireless and Bluetooth device.

Target range application of DUB102R are: Internet TV set, STB, Blue-ray Disk; Set-top box, Hard disk player, Network Radios, PSP and other device which need be supported by wireless networking.

Product Highlight

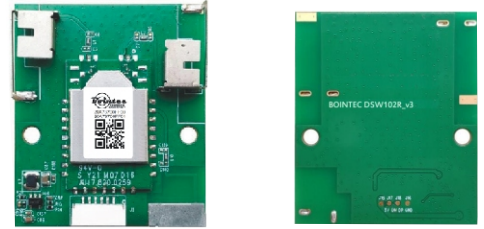
- Main Chipset Realtek RTL8822BU-CG
- IEEE 802.11 a/b/g/n/AC compliant with 2.4GHz and 5GHz frequency band
- Bluetooth 2.1/3.0 and BT4.2 Dual Mode
- Dual-band 2T2R mode with 20/40/80Mhz bandwidth
- Embedded antenna on module
- 11ac MCS0~9, up to 867Mbps data rate
- USB interface for wifi, USB for Bluetooth interface
- RoHS & Halogen free compliant / Lead free



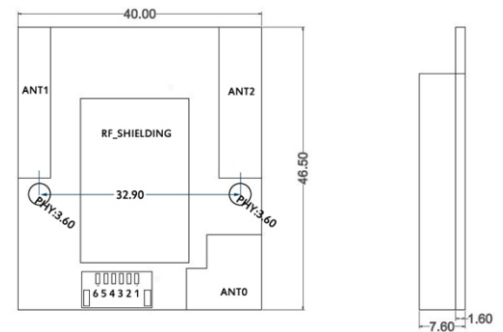
Specification

Feature	Specification
General	
Main Processor	Realtek® RTL8822BU-CG
Frequency band	2.4GHz (2.412GHz to 2.4835GHz) 5GHz (5.15GHz to 5.35GHz, 5.47GHz to 5.835GHz)
Antenna	Internal : build-in 3 antenna(s): 2 wifi, 1 bluetooth External : n/a
Interfaces	USB for Wifi, USB for Bluetooth
Dimension(L*W*H)	46.5*40.0*7.6mm (LxWxH) ;Tolerance: +-0.15mm
Operating Voltage	5.0 V ± 0.25V
Power Consumption	200mA at 5V(standby) 650mA at 5V (TX mode; maximum)
Clock Source	
Temperature	-20°C to +70°C (Operation) -40°C to +85°C (Storage)
WiFi	
Standard	IEEE 802.11ac IEEE 802.11a IEEE 802.11b IEEE 802.11g IEEE 802.11n
Bandwidth	HT20 HT40 and HT80
RF Input / Output	2T2R
Modulation	802.11ac: BPSK, QPSK, 16QAM,256QAM,OFDM 802.11a: BPSK, QPSK, 16QAM,256QAM,OFDM 802.11b: CCK, DQPSK, DBPSK 802.11g: 64 QAM, 16 QAM, QPSK, BPSK 802.11n: 64 QAM, 16 QAM, QPSK, BPSK
Work mode	Infrastructure, Ad-Hoc
Roaming	Roaming Support
Data Rate	802.11b: 1, 2, 5.5, 11Mbps 802.11g: 6, 9, 12, 18, 24, 36, 48, 54Mbps 802.11ac: MCS 0 to 9 (HT80) MIMO 13~860Mbps
Spread Spectrum	IEEE 802.11b: DSSS (Direct Sequence Spread Spectrum) IEEE 802.11ac/a/g/n:OFDM (Orthogonal Frequency Division Multiplexing)
Internet Protocols	IPv4, IPv6 TCP/IP
Security Protocols	WPA, WPA2-PSK,WEP
Bluetooth	
Standard	Bluetooth 2.1+EDR Bluetooth v3.0 Bluetooth v4.0/v4.1/v4.2 Bluetooth v5.0/5.1/5.2
Modulation	8DPSK, π/4 DQPSK, GFSK,FHSS,
Data Rate	BR_1Mbps: GFSK; EDR_2Mbps: π/4-DQPSK; EDR_3Mbps: 8DPSK;

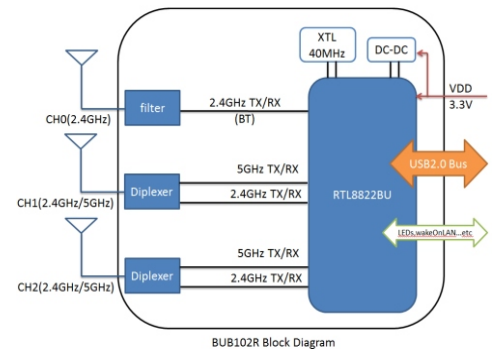
Product quick glance



ME Drawing/placement



Block Diagram



Ordering Information

TFGA-DUB109R0-11	finished non packing,Bointec,DUB109R



BOINTEC TAIWAN CO LTD
3F,196-7,SEC3 DATONG RD., XIZHI, TAIPEI 22103, TAIWAN
TEL:+886-2-2759-0081 EMAIL:contact@bointec.com
WWW.BOINTEC.COM

(C)BOINTEC. All rights reserved. Bointec & the Bointec logo are the trademarks of Tajet Bointec, which may be registered in some jurisdictions. All other brands and product names are registered trademarks of their respective holders. Information supplied by Bointec is believed to be accurate and reliable. Bointec assumes no responsibility for any errors in this brochure. Bointec reserves the right, without notice, to make changed in product design or specifications.

Bointec Authorized Distributer