



# CPE903A

802.11abgn, miniPCIe, 3T3R, AR9380



CPE903A

802.11abgn , miniPCIe, 3T3R

## Introduction of Products

CPE903A is a miniPCIe card base on Qualcomm Atheros solution which adopting the chipset AR9380 for IEEE 802.11 a/b/g/n wireless local area network (WLAN).

The mini PCI interface integrates easily with embedded platforms to construct single or multiple-radio access points, wireless bridges, and consumer premises client equipment.

## Product Highlight

- Wireless: IEEE 802.11a/b/g/n (3T3R)
- 802.11b: 11Mbps / 802.11a/g: 54Mbps / 802.11n: 450Mbps
- Mini PCI-e, Antenna Ports : U.FL \* 3 for 3T3R
- Frequency: 2.412GHz ~ 2.472GHz, 5150MHz ~ 5825MHz
- RoHS



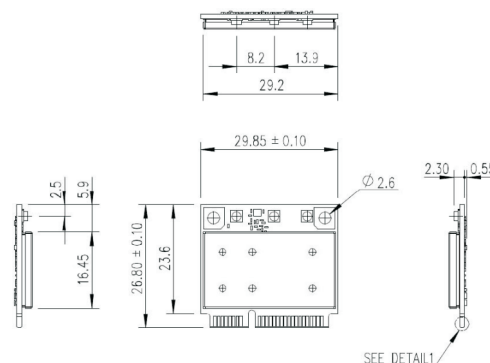
# Specification

Specifications		
Chipset	Atheros AR9380	
Data Rate	11b : up to 11Mbps	
	11a/g : up to 54Mbps	
	11n : up to 450Mbps	
Host Interface	Mini PCIe	
Radio Operation	IEEE 802.11a/n	IEEE 802.11g/n
Output Power	15dBm @ 6Mbps	17dBm @ 1~11Mbps
Tx +/- 2dB (1Tx)	10~12dBm @ 54Mbps	
	15/14dBm @ MCS0 (HT20/HT40)	16dBm @ 54Mbps
	9~12/8~11dBm @ MCS7 (HT20/HT40)	16/15dBm @ MCS0 (HT20/HT40)
		15/14dBm @ MCS7 (HT20/HT40)
Receiver Sensitivity	-96dBm @ 6Mbps	-102dBm @ 1Mbps
Rx +/- 2dB	-81dBm @ 54Mbps	
	-96/-93dBm @ MCS0 (HT20/HT40)	-96dBm @ 6Mbps
	-78/-74dBm @ MCS7 (HT20/HT40)	-82dBm @ 54Mbps
		-95/-94dBm @ MCS0 (HT20/HT40)
		-79/-76dBm @ MCS7 (HT20/HT40)
Antenna Interface	U.FL x3 for 3T3R	
Dimension	27(L) mm X 26.89(W) mm X 4.3(H) mm	
Operating Voltage	3.3V+/- 5%	
Operating Temperature	-20°C to +70°C	

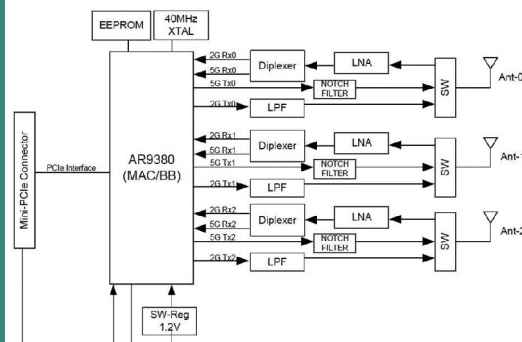
## Product quick glance



## ME Drawing/placement



## Block diagram



## Ordering Information

PART NUMBER	DESCRIPTION
T.CPE903A	
T.CPE903A-DK	
TFGA-CPE903A0-11	



We are Your Partner more than Business



BOINTEC TAIWAN CO LTD  
1F, #3, A20, L790, SEC. 5, CHUNGHSIAO E. RD., TAIPEI 110, TAIWAN  
TEL: +886-2-2759-0081 FAX: +886-2-2759-1659  
WWW.BOINTEC.COM

(C)BOINTEC. All rights reserved. Bointec & the Bointec logo are the trademarks of Bointec, which may be registered in some jurisdictions. All other brands and product names are registered trademarks of their respective holders. Information supplied by Bointec is believed to be accurate and reliable. Bointec assumes no responsibility for any errors in this brochure. Bointec reserves the right, without notice, to make changed in product design or specifications.

Bointec Authorized Distributer