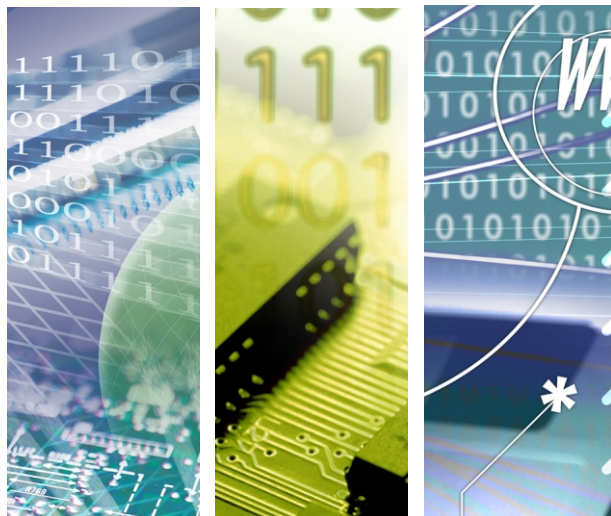
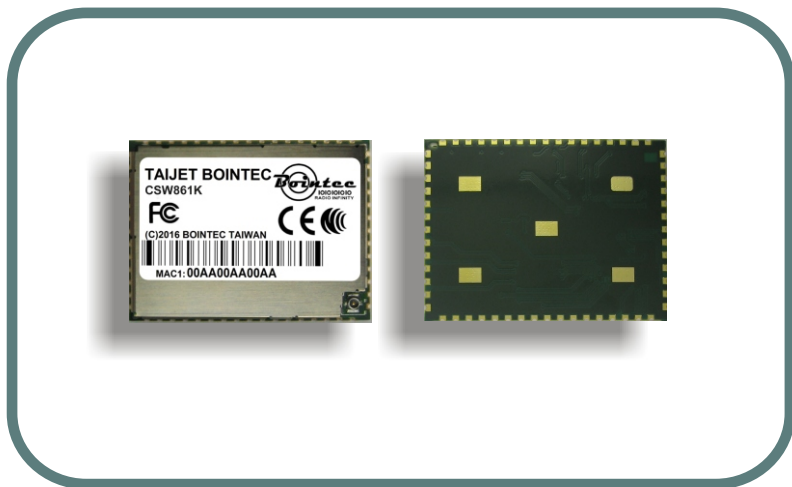




CSW861K

IEEE 802.11 b/g/n, 1x1, AP, SMT type



CSW861K

IEEE 802.11 b/g/n, 1T1R, ethernet+GPIO+UART+JTAG+USB+SPI+I2C+I2S, SMT type(saw edge)

Introduction of Products

Bointec CSW861K is a low-cost, low-power consumption IOT module with Access Point(AP) and router function. With integrate Wi-Fi single chip solution, CSW861K supports IEEE 802.11b/g/n stream, providing GPIO for intelligent control, and UART interfaces for device communication. This completes networking platform enables any kind of electronics to add full-featured Wi-Fi to a wide variety of products with minimal development effort and cost.

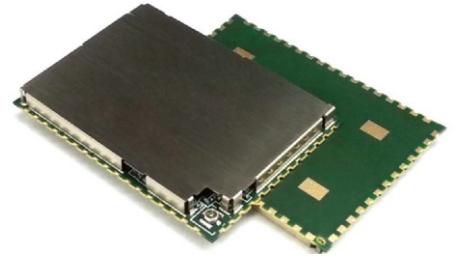
CSW861K supports a network stack along with SSL security, enabling full-featured internet connectivity and reliable information exchange in a small, low-cost system. CSW808K integrate PCB has one MHF4 antenna connector and 32Mbits flash RAM. With an external power manage MCU, it is able to utilize 3.3V power source for best power consumption.

Product Highlight

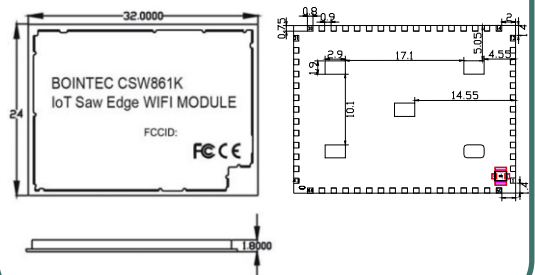
- IEEE 802.11 b/g/n compliant with 2.4GHz frequency band
- Supports either Client and AP mode that can be selected
- Embedded IEEE 802.11 b/g/n drivers, supplicant, and TCP/IP stack with 802.11v
- Embedded MIPS24KEc (575/580 MHz) with 64 KB I-Cache and 32 KB D-Cache
- Green AP/STA – Intelligent Clock Scaling (exclusive) – DDRII: ODT off, Self-refresh mode
- 1T1R 2.4 GHz with 150 Mbps PHY data rate
- Legacy 802.11b/g and HT 802.11n modes
- 20/40 MHz channel bandwidth
- 1-port 10/100 FE PHY
- 1 USB 2.0 Host,
- SPI/SD-XC/eMMC
- SPI,I2C, I2S,PCM, UART, JTAG, GPIO
- Internet Of Thing
- An optimized PMU
- 16 Multiple BSSID
- WEP64/128, TKIP, AES, WPA, WPA2, WAPI
- QoS: WMM, WMM-PS
- AP/STA Firmware: Linux 2.6.36 SDK, OpenWrt 3.10
- Worldwide regulatory compliance
- RoHS & Halogen free compliant / Lead free



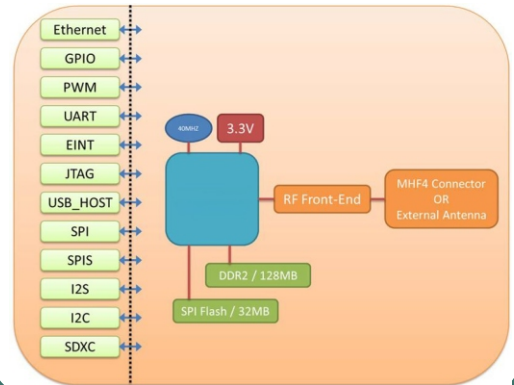
Product quick glance



ME Drawing/placement



Block diagram



General	
Processor	Mediatek® MT7688AN, MIPS24KEc
Clock Speed	580MHz
Memory	DDR2 128MB
Flash	32MB
Bandwidth	HT20 and HT40
Antenna	Built-in printed antenna
	External antenna via IPEX connector (Optional)
	1T1R
Interfaces	• UART
	• GPIO
	• SPI
	• I ² S
	• I ² C
	• PCM
	• JTAG
	• USB(host)
	• SDXC/SPI/eMMC
	• Ethernet
WiFi	
Standard	IEEE 802.11 b/g/n
Frequency band	2.4GHz (2.412 GHz to 2.484 GHz)
Internet Protocols	IPv4, TCP/UDP, ARP/NDP, DHCPv4,
Security Protocols	WPA, WPA2-PSK, WEP46/128, TKIP, AES, WAPI
QoS Protocols	WMM, WMM-PS
Power Consumption	
Operating Voltage	3.3 V ± 0.05V
Power Consumption	• Transmit: 250 mA @16dBm
	• Receive: 75 mA (typical)
	• Power saving mode(DITM=1): 1.09mA
	• Standby mode(Sleep): 130uA
Dimension	
PCB Size	24 x 32 x 1.8 mm
Package	LGA 65pin/ saw edge

Ordering Information

Part Number	System Description
TFGA-CSW861K0-11	finished non packaing, OEM, CSW861K
T.CSW861K-DK	CSW861K-DK, Single packed, Bointec packed, development kit packed



We are Your Partner more than Business



TAIJET BOINTEC CO LTD
4F, #114, ZHOUI ST., NEIHU-TAIPEI 11493, TAIWAN
TEL: +886-2-2759-0081 EMAIL: contact@bointec.com
WWW.BOINTEC.COM

(C)BOINTEC. All rights reserved. Bointec & the Bointec logo are the trademarks of Taijet Bointec, which may be registered in some jurisdictions. All other brands and product names are registered trademarks of their respective holders. Information supplied by Bointec is believed to be accurate and reliable. Bointec assumes no responsibility for any errors in this brochure. Bointec reserves the right, without notice, to make changed in product design or specifications.

Bointec Authorized Distributer