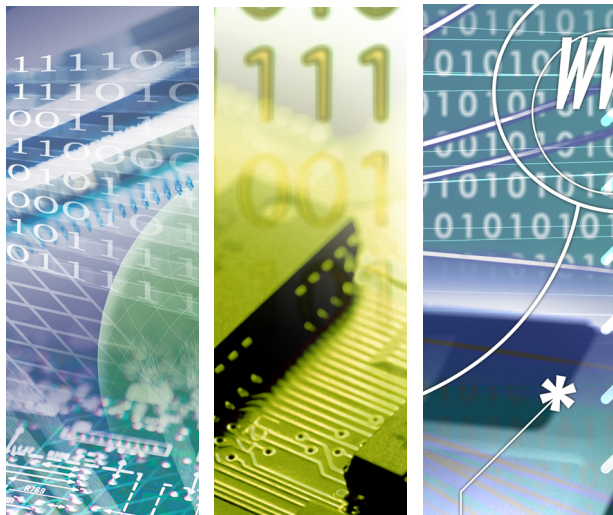




CEV808

CSW808K Evaluation Board



CEV808

CSW808K Evaluation Board

Introduction of Products

Bointec CEV808 is a low-cost, low-power consumption IOT module. The CEV808 integrate Wi-Fi single chip, which supports IEEE 802.11b/g/n stream, providing GPIO for intelligent control, and UART interfaces for device communication.

CEV808 integrate PCB Printed antenna and 4Mbits flash to reduce customer platform size. And also integrate power manage unit for single 3.3V power source for cost effective design.

Bointec CEV808 embedded 32-bit RISC MCU for 802.11b/g/n drivers, supplicant, TCP/IP protocol stack, and networking applications, can be operated in station mode and softAP mode. CEV808 is an ideal solution for embedded device to enable networking service with minimized design effort.

Product Highlight

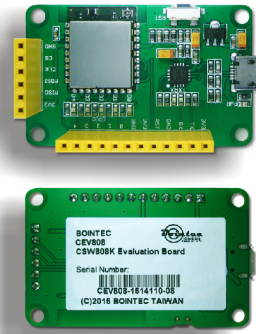
- IEEE 802.11 b/g/n compliant with 2.4GHz frequency band
- 32-bit RISC microprocessor as the host MCU
- Supports either Client and AP mode that can be selected
- Embedded IEEE 802.11 b/g/n drivers, supplicant, and TCP/IP stack
- Smart WiFi configuration supported
- Integrate PCB Printed antenna and 4Mbits flash
- Rich interfaces, UART and GPIOs
- Support WEP and WPA2 encryption mode
- RF ON/OFF control
- Sleep mode management
- Optional onboard antenna or External antenna
- Worldwide regulatory compliance
- RoHS & Halogen free compliant / Lead free



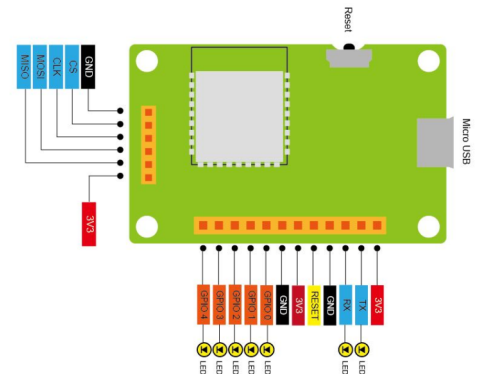
Specification

General	
Processor	Mediatek® MT7681N
Frequency band	2.4GHz (2.412 GHz to 2.484 GHz)
Bandwidth	HT20 and HT40
Antenna	● Built-in printed antenna
	● External antenna via IPEX connector (Optional)
	● 1T1R
Interfaces	● UART 115200bps(maximum)
	● GPIO
WiFi	
Standard	IEEE 802.11 b/g/n
Internet Protocols	IPv4, TCP/UDP, ARP/NDP, DHCPv4,
Security Protocols	WPA, WPA2-PSK,WEP
Power Consumption	
Operating Voltage	3.3 V ± 0.05V
Power Consumption	● Transmit: 250 mA @16dBm
	● Receive: 75 mA (typical)
	● Power saving mode(DITM=1): 1.09mA
	● Standby mode(Sleep): 130uA
Dimension	
EV Board Size	50 x 30 x 10 mm
Environmental	
Operating Temperature	Industrial: N/A
	Commercial: -15°C ~ +75°C
Storage Temperature	Industrial: N/A
	Commercial: -40°C ~ +85°C
Operating Humidity	Operating humidity: 20-80%

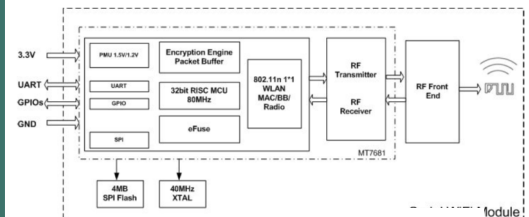
Product quick glance



ME Drawing/placement



Block diagram



Ordering Information

PART NUMBER	DESCRIPTION
TFGA-CEV80800-11	finished non packaging,Bointec,CEV808



We are Your Partner more than Business



TAIJET BOINTEC CO LTD
 4F, #114, ZHOULI ST., NEIHU-TAIPEI 11493, TAIWAN
 TEL: +886-2-2759-0081 EMAIL: contact@bointec.com
 WWW.BOINTEC.COM

(C)BOINTEC. All rights reserved. Bointec & the Bointec logo are the trademarks of Taijet Bointec, which may be registered in some jurisdictions. All other brands and product names are registered trademarks of their respective holders. Information supplied by Bointec is believed to be accurate and reliable. Bointec assumes no responsibility for any errors in this brochure. Bointec reserves the right, without notice, to make changed in product design or specifications.

Bointec Authorized Distributer